

**SINGER**  
**240W1,W2,W4**

Form 3105w  
(354)  
Printed in U. S. A.

**LIST  
OF  
PARTS**

From the library of: Diamond Needle Corp

**SINGER\*\***  
MACHINES Nos.  
240w1, 240w2 and 240w4

**THE SINGER COMPANY**

\*\*A Trade Mark of THE SINGER COMPANY

## INDEX

	Page
Accessories.....	12
Attachments and Accessories.....	13
Cloth Plates.....	14
Finger Guard.....	14
Fittings.....	14
Foot Lifters.....	15 & 16
Knee Lifter.....	12
Machine No. 240w1.....	5
Machine No. 240w2.....	10
Machine No. 240w4.....	11
Numerical List of Parts.....	17
Thread Unwinder.....	13

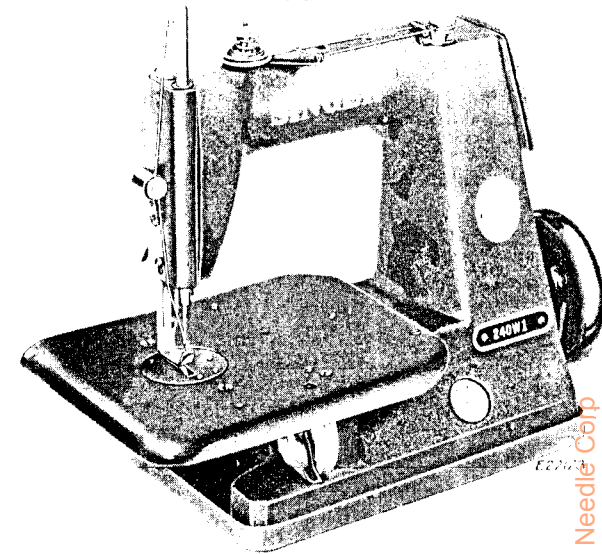
From the library of: Diamond Needle Corp.

Copyright, U. S. A., 1947, 1953 and 1954

by The Singer Company

All Rights Reserved for all Countries

FOR



## MACHINE No. 240w1

HIGH SPEED. SINGLE NEEDLE.  
SINGLE THREAD CHAIN STITCH.  
DROP FEED. NEEDLE BAR TAKE-UP.  
ROTARY LOOPER. THREAD NIPPER.  
PLAIN TENSION.

FOR NECKTIE HEMMING, UMBRELLA SEAMING  
AND GENERAL STITCHING ON LIGHT AND  
MEDIUM WEIGHT FABRICS.

No.	Plate	Name
243601P	15608	Cloth Plate
Note: Cloth Plate 243601X will be furnished in place of 243601P if so specified on order.		
243602	15608	Cloth Plate Gasket
222119X	15608	" " Position Pin
691X	15608	" " Screw (3)
25878	15609	Edge Guide
51224B	15609	" " Thumb Screw
243614P	15606	Face Plate
200166X	15606	" " Screw (2)
243615	15605	Feed Bar with 200394C and 243634
243616	15605	" " Carrier with 243618 and two 243620
243617	15605	Feed Bar Carrier Hinge Stud
243618	15605	" " " " " Bearing

No.	Plate	Name
200364C	15605	Feed Bar Carrier Hinge Stud Set Screw
243619	15605	" " Hinge Stud
243620	15605	" " " " Bearing
243681	15605	" " " " Collar with 200141F
200141F	15605	" " " " Set Screw
200394C	15605	" " " " Set Screw
243621	15605	" " Slide Block
243624	15609	" Dog, for Umbrella Seaming and Necktie Work, for 243715
243631	15605	Feed Dog Adjusting Plate
202F	15605	" " " " Screw
176D	15609	" " Screw
243632	15605	" Driving Connection Link with 243633
243633	15605	Feed Driving Connection Link Bearing
243634	15605	" " " " Hinge Stud
243635	15605	" " Link with 243636
243636	15605	" " " Bearing
243743	15605	" Lubricating Wick
243637	15605	" Regulating Connection
243638	15605	" " " Hinge Pin
243639	15605	" " Crank
243640	15605	" " " Bushing
200380C	15605	" " " " Position Screw
200380C	15605	Feed Regulating Crank Bushing Position Screw Check Screw
243641	15605	Feed Regulating Crank Link with 243642
243642	15605	" " " " Bearing
243643	15605	" " Wheel (indexed) with 243638
350555C	15605	Feed Regulating Wheel Lock Screw
243644	15605	" " " " " Lever
200122X	15605	" " " " " Cap Screw
213949	15605	Feed Regulating Wheel Lock Screw Washer
*243645	-----	Frame with 243665, 244026 and three 222119X
243646	15602	Frame End Cover
243745	15602	" " " 243646 with 243744 and 350366X
243647	15602	Frame End Cover Gasket
350366X	15602	" " " Oil Stop Screw
243744	15602	" " " " " Gasket (vellumoid)
200099X	15602	Frame End Cover Screw (4)
350366X	15601	" Oil Stop Screw
243648	15603	Looper
243736	15603	" 243648 with 1368E and 243682
243649	15608	" Safety Guard

No.	Plate	Name
243710	15608	Looper Safety Guard Compression Spring
243650	15608	Looper Safety Guard Post (2)
691X	15608	" " " " Screw (2)
350558X	15603	" Set Screw (long)
350559X	15603	" " " (short)
243746	15603	" Shaft with 350558X and 350559X
243652	15603	" " Bearing (back)
243653	15603	" " " (front)
243742	15603	" " End Thrust Adjusting Collar with two 200392C
200392C	15603	Looper Shaft End Thrust Adjusting Collar Set Screw
243741	15603	Looper Shaft End Thrust Bushing
243682	15603	" Washer
1368E	15603	" " Screw
243604P	15603	Machine Pulley (aluminum alloy casting) for 3/8 in. "V" belt (outside diam. of belt groove 2.6 in.) (rim diam. 3-3/16 in.) with two 200379C
243731	15603	Machine Pulley 243604P with 243606 and 243738
Note:		Machine Pulley 243731 furnished with this machine unless otherwise specified on order.
243605P	15603	Machine Pulley (aluminum alloy casting) for 5/16 in. round belt (diam. of belt groove 1-13/32 in.) (rim diam. 3-3/16 in.) with two 200379C
243732	15603	Machine Pulley 243605P with 243606 and 243738
350419X	15603	Machine Pulley Adjusting Screw
243606	15603	" " Ball Bearing
243738	15603	" " Gasket
200379C	15603	" " Set Screw
243607	15603	" " Shaft
243608	15603	" " " 243607 with 243609
243609	15603	" " " Ball Bearing
243611	15603	" " " Sleeve
243612	15603	" " " " 243611 with 243613
243613	15603	Machine Pulley Shaft Sleeve Oil Seal
200958X	15603	" " " " Set Screw
243654	15601	Needle Bar with 9611 and 200141F
243655	15601	" " Bushing (2)
243656	15601	" " Connecting Link
243657	15601	" " " Stud with 200086C and 206758
206758	15601	Needle Bar Connecting Stud Oil Packing (wick)
200086C	15601	Needle Bar Connecting Stud Pinch Screw

No.	Plate	Name
243658	15602	Needle Bar Driving Connection with 243659 and 243660
243659	15602	Needle Bar Driving Connection Bushing (lower)
243660	15602	Needle Bar Driving Connection Bushing (upper)
243661	15602	Needle Bar Driving Crank with 200058D
243683	15602	" " " " 243661 with 243606
243606	15602	Needle Bar Driving Crank Ball Bearing
200058D	15602	" " " " Pinch Screw
243662	15602	" " " Shaft with 243740
243684	15602	" " " " 243662 with 243609
243609	15602	Needle Bar Driving Shaft Ball Bearing
200136C	15602	" " " " Oil Stop Screw
243740	15602	" " " " Oiling Wick
243664	15601	" " Oiling Felt
9611	15601	" " Thread Tube
200141F	15601	" Set Screw
243665	15608	Oil Level Indicator
243666	15608	" Reservoir Cover
243667	15608	" " " Gasket
200064X	15608	" " " Screw (12)
243668	15601	Presser Bar with 200110D
243655	15601	" " Bushing
243673	15601	" " Lifter
200201C	15601	" " " Hinge Screw
243669	15601	" " Lifting Bracket with 201052C
201052C	15601	" " " Set Screw
243670	15602	" " " Rock Shaft
202510	15602	" " " " " Collar with 200141F
200141F	15602	Presser Bar Lifting Rock Shaft Collar Set Screw
243671	15602	Presser Bar Lifting Rock Shaft Crank with 200141F
200141F	15602	Presser Bar Lifting Rock Shaft Crank Set Screw
243747	15602	Presser Bar Lifting Rock Shaft Crank Spring
244026	15601	Presser Bar Lifting Rock Shaft Stop Pin
208085	15601	Presser Bar Spring
22405	15601	" " " Washer
1121X	15601	" " Thumb Screw (pressure regulating)
243675	15609	Presser Foot, for Umbrella Seaming and Necktie Work
200110D	15601	Presser Foot Screw
2102	15606	Tension Disc

No.	Plate	Name
13710	15606	Tension Spring
350557C	15606	" Stud
243697	15606	" Thread Guide
1560C	15606	" Thumb Nut
243696	15606	Tension complete, Nos. 1560C, 13710, 350557C and two 2102
129052	15606	Thread Nipper Bushing
1623C	15606	" " " Lock Nut
129158	15606	" " Disc
129053	15606	" " Plunger
19445	15606	" " " Pin
129054	15606	" " Spring
50952J	15606	" " Stud
243717	15606	Thread Nipper complete, Nos. 1623C, 19445, 50952J, 129052 to 129054 and two 129158
243703	15606	Thread Nipper Rod
243704	15606	" " " Bushing
243705	15606	" " " Cap
243706	15606	" " " Operating Sleeve
243707	15606	" " " " Plug
243708	15606	" " " Spring
243709	15606	" " Thread Guide
210683	15606	" Retainer Bracket with 200397X
200137X	15606	" " " Screw (2)
210993	15606	" " Sleeve
210992	15606	" " Spring
243711	15606	" " Stud
210958	15606	" " " Collar
200397X	15606	" " " Set Screw
243712	15606	Thread Retainer Bracket complete, Nos. 210683, 210958, 210992, 210993 and 243711
243715	15609	Throat Plate, for 243624
244X	15609	" " " Screw (2)

## MACHINE No. 240w2

HIGH SPEED. SINGLE NEEDLE.  
SINGLE THREAD CHAIN STITCH.  
DROP FEED. NEEDLE BAR TAKE-UP.  
ROTARY LOOPER. THREAD NIPPER.  
GRADUATED ADJUSTABLE THREAD  
MEASURING DEVICE. PLAIN TENSION.  
FOR NECKTIE HEMMING, UMBRELLA SEAMING  
AND GENERAL STITCHING ON LIGHT AND  
MEDIUM WEIGHT FABRICS.

Same as Machine No. 240w1 with the following  
exceptions:

No.	Plate	Name
243698	15607	Thread Measuring Adjusting Knob (indexed)
200241C	15607	Thread Measuring Adjusting Knob Hinge Screw
243700	15607	Thread Measuring Adjusting Knob Spring
243701	15607	Thread Measuring Pull-off Finger
200136C	15602	" " " " Screw
243702	15607	" " Thread Guide
222119X	15607	" " " " Hinge Pin

## MACHINE No. 240w4

HIGH SPEED. SINGLE NEEDLE.  
SINGLE THREAD CHAIN STITCH.  
DROP FEED. NEEDLE BAR TAKE-UP.  
ROTARY LOOPER. THREAD NIPPER.  
GRADUATED ADJUSTABLE THREAD  
MEASURING DEVICE. LOOPER THREAD CUTTER.  
PLAIN TENSION.  
FOR LABEL STITCHING.

Same as Machine No. 240w1 with the following  
exceptions:

No.	Plate	Name
243737	15604	Looper 243648 with 1368E and 243685
243685	15604	" Thread Cutter
1368E	15604	" " " Screw
243687	15610	Presser Foot with 200138X and 243686, for stitching labels
243686	15610	Presser Foot Spring Guide
200138X	15610	" " " " Screw
243698	15607	Thread Measuring Adjusting Knob (indexed)
200241C	15607	Thread Measuring Adjusting Knob Hinge Screw
243700	15607	Thread Measuring Adjusting Knob Spring
243701	15607	Thread Measuring Pull-off Finger
200136C	15602	" " " " Screw
243702	15607	" " Thread Guide
222119X	15607	" " " " Hinge Pin

## ACCESSORIES

No.	Plate	Name
228719	15611	Drip Pan with four each 228721 and wood screws 1-1/4 in., No. 8, R. H. B.
228721	15611	Machine Cushion
2 1/4 X 1	-----	Needles, six, size 11
160727	15611	Oil Container (filled, 5 oz., Mfg. oil, light grade, not stainless) Nos. 160725 and 160726
160725	15611	Oil Container
160726	15611	" " Cap
160728	15611	" " Spout
225498	15611	Screw Driver (7-1/4 in., long)
228476	15611	" Driver
10875	15611	Wrench

## KNEE LIFTER

228561	15612	Chain, 11 in., long, with two 202784
202784	15612	" Hook
228722	15612	Rock Lever with 200380C and 350231C
228723	15612	" " Bracket with 200347AL and three wood screws 7/8 in., No. 12
228724	15612	Rock Lever Bracket 228723 with 228722 and 228725 to 228729
228725	15612	Rock Lever Hinge Pin
200380C	15612	" " " " Set Screw
228364	15612	" " Knee Plate with 350231C
228388	15612	" " " " Arm
350231C	15612	" " " " " Set Screw
350231C	15612	" " " " " Set Screw
228726	15612	" " Lifting Arm
228727	15612	" " " " Crank with 350231C
228728	15612	Rock Lever Lifting Arm Crank Connection
350231C	15612	Rock Lever Lifting Arm Crank Set Screw
228729	15612	Rock Lever Position Spring
228367	15612	" " Stop Stud
200347AL	15612	" " " " " Set Screw
228730	15612	Knee Lifter Rock Lever complete, Nos. 228364, 228367, 228388, 228561, 228724 and Form A1360

## THREAD UNWINDER

No.	Plate	Name
228692	15613	Spool Pin
201528X	15613	" " Nut
228693	15613	" " Washer
225259	15613	" Rest (for one spool) (flat) with 201018C, 201528X, 228692 and 228693
150203	15613	Spool Rest Cushion (felt)
225388	15613	" " Rod
200383C	15613	" " " Set Screw
201018C	15613	" " Set Screw
259658	15613	" Stand with 200383C
225391	15613	Thread Guide
201696X	15613	" " Lock Nut
225326	15613	" " Position Cup
225324	15613	" " Rod with 208AL and 225322
208AL	15613	Thread Guide Rod Screw
225322	15613	" " " Washer
225260	15613	Thread Unwinder (for one spool) complete, Nos. 150203, 201696X, 225259, 225324, 225326, 225388, 225391, 259658 and three wood screws 7/8 in., No. 12

## ATTACHMENTS AND ACCESSORIES

350568X	15608	Hold Down Screw
228721	15608	" " " Bushing
243685	15604	Looper Thread Cutter

## NECKTIE HEMMERS

## MACHINES NOS. 240w1 and 240w2

120454	15617	Hemmer (plate) 3/32 in. hem
120455	15617	" " 1/8 in. hem
1534X	15617	" Thumb Nut



## SEAMER

No.	Plate	Name
26029	15617	Seamer with 26361
26361	15617	" Edge Guide
2534X	15617	" Thumb Nut

## CLOTH PLATES

243601P	15608	Cloth Plate
243601X	15608	" Plate
243720	15608	" " (stainless steel)

## FINGER GUARD

36822	15617	Finger Guard
36823	15617	" " Friction Washer
104J	15617	" " Hinge Screw
36824	15617	" " Holder with 228K
228K	15617	" " Clamping Screw
36825	15617	Finger Guard complete, Nos. 104J and 36822 to 36824

## FITTINGS

## FOR FLAT WORK

243623	15614	Feed Dog, for 243714
243674	15614	Presser Foot
243714	15614	Throat Plate, for 243623

## FOR LINED NECKTIES

No.	Plate	Name
243625	15614	Feed Dog, for 243716
243674	15614	Presser Foot
243716	15614	Throat Plate, for 243625

## FOR UMBRELLA SEAMING

243622	15614	Feed Dog, for 243713
243674	15614	Presser Foot
243713	15614	Throat Plate, for 243622

## FOOT LIFTERS

PARTS REQUIRED TO CHANGE FROM  
KNEE LIFTER TO FOOT LIFTER

228474	15615	Foot Lifter Treadle Chain, 34 in. long, with two 202784
202784	15615	Foot Lifter Treadle Chain Hook

## FOOT LIFTER

## FOR STANDS WITH FLAT TREADLE SUPPORT

14372	15615	Treadle
51074R	15615	" Bolt
46709	15615	" " 51074R with 23250 and 67425
67425	15615	" " Lock Washer
23250	15615	" " Washer
14373	15615	" Extension
50581R	15615	" " Screw
2718	15615	" " " Washer
17881	15615	" Shaft
14374	15615	" Spring
14375	15615	" Stand
14379	15615	Treadle complete, Nos. 2718, 14372 to 14375, 17881, 50581R and two 46709

## FOOT LIFTER

## FOR STANDS WITH TUBULAR TREADLE SUPPORT

No.	Plate	Name
152170	15616	Treadle Extension
152171	15616	" " Swivel Stud
51723X	15616	" " " " Nut
701348	15616	" " " " " Lock Washer
152080	15616	Treadle Position Collar with 51089R
51089R	15616	" " " Clamping Bolt with 51581R
51581R	15616	Treadle Position Collar Clamping Bolt Nut
152153	15616	Treadle Spring
152169	15616	Foot Lifter Treadle (pressed steel) with adjustable Extension complete, Nos. 51723X, 152170, 152171 and 701348
152095	15616	Foot Lifter Treadle 152169 with 152153 and two 152080

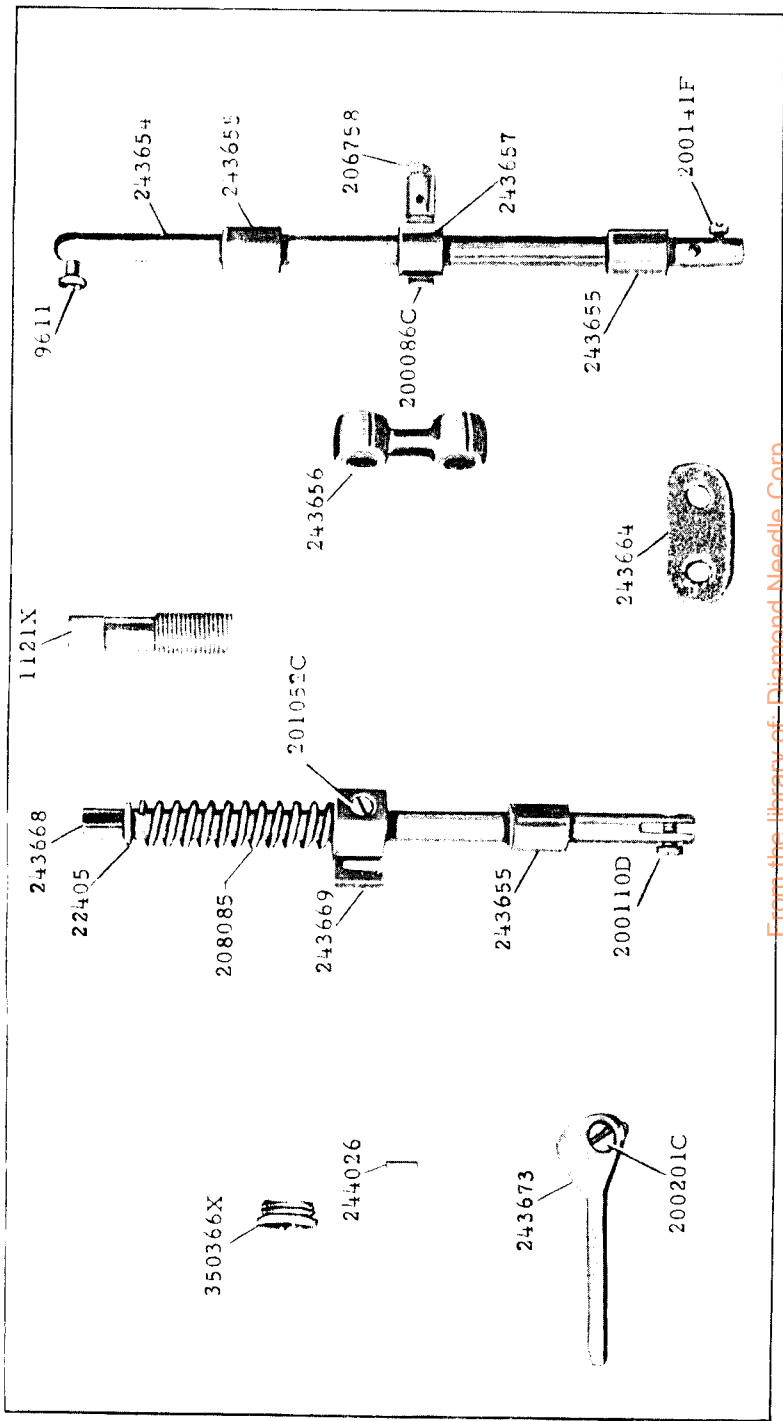
## FOOT LIFTER

## FOR USE WITH POWER TABLES

14372	18614	Treadle
14373	18614	" Extension
50581R	18614	" " Screw
2718	18614	" " " Washer
17881	18614	" Shaft
14374	18614	" Spring
14375	18614	" Stand
14376	18614	Foot Lifter Treadle complete, Nos. 2718, 14372 to 14375, 17881, 50581R and two wood screws 1-1/4 in., No. 12, F. H.

## NUMERICAL LIST OF PARTS

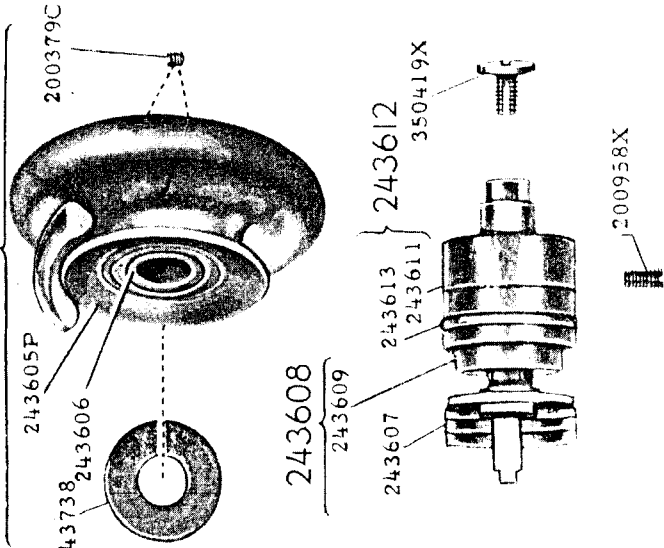
No.	Plate	Name
104J	15617	Finger Guard Hinge Screw, for 36825
176D	15609	Feed Dog Screw
202F	15605	" " Adjusting Plate Screw
208AL	15613	Thread Unwinder Thread Guide Rod Screw, for 225324
228K	15617	Finger Guard Holder Clamping Screw, for 36824
244X	15609	Throat Plate Screw
691X	15608	Cloth Plate Screw
691X	15608	Looper Safety Guard Post Screw
1121X	15601	Presser Bar Thumb Screw (pressure regulating)
1368E	15604	Looper Thread Cutter Screw, for 243737
1368E	15603	" Washer Screw, for 243736
1534X	15617	Hemmer Thumb Nut, for Machines Nos. 240w1 and 240w2
1534X	15617	Seamer Thumb Nut
1560C	15606	Tension Thumb Nut, for 243696
1623C	15606	Thread Nipper Bushing Lock Nut, for 243717
2102	15606	Tension Disc, for 243696
2718	15615	Foot Lifter Treadle Extension Screw Washer, for 14376 and 14379
9611	15601	Needle Bar Thread Tube, for 243654
10875	15611	Wrench
13710	15606	Tension Spring, for 243696 Nos. 14372 to 14375, for 14376 and 14379
14372	15615	Foot Lifter Treadle
14373	15615	" " " Extension
14374	15615	" " " Spring
14375	15615	" " " Stand
14376	18614	Foot Lifter Treadle complete (for use with Power Tables) Nos. 2718, 14372 to 14375, 17881, 50581R and two wood screws 1-1/4 in., No. 12, F. H.
14379	15615	Foot Lifter Treadle complete (for Stands with Flat Treadle Support) Nos. 2718 14372 to 14375, 17881, 50581R and two 46709
17881	15615	Foot Lifter Treadle Shaft, for 14376 and 14379
19445	15606	Thread Nipper Plunger Pin, for 243717
22405	15601	Presser Bar Spring Washer



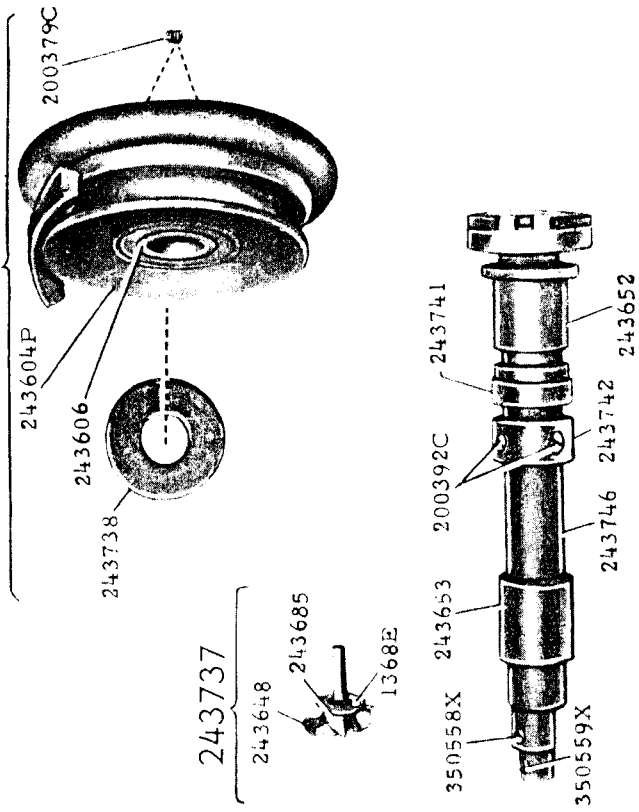


15604 - 1/2

243732 - 5/16"

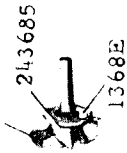


243731 - 3/8"

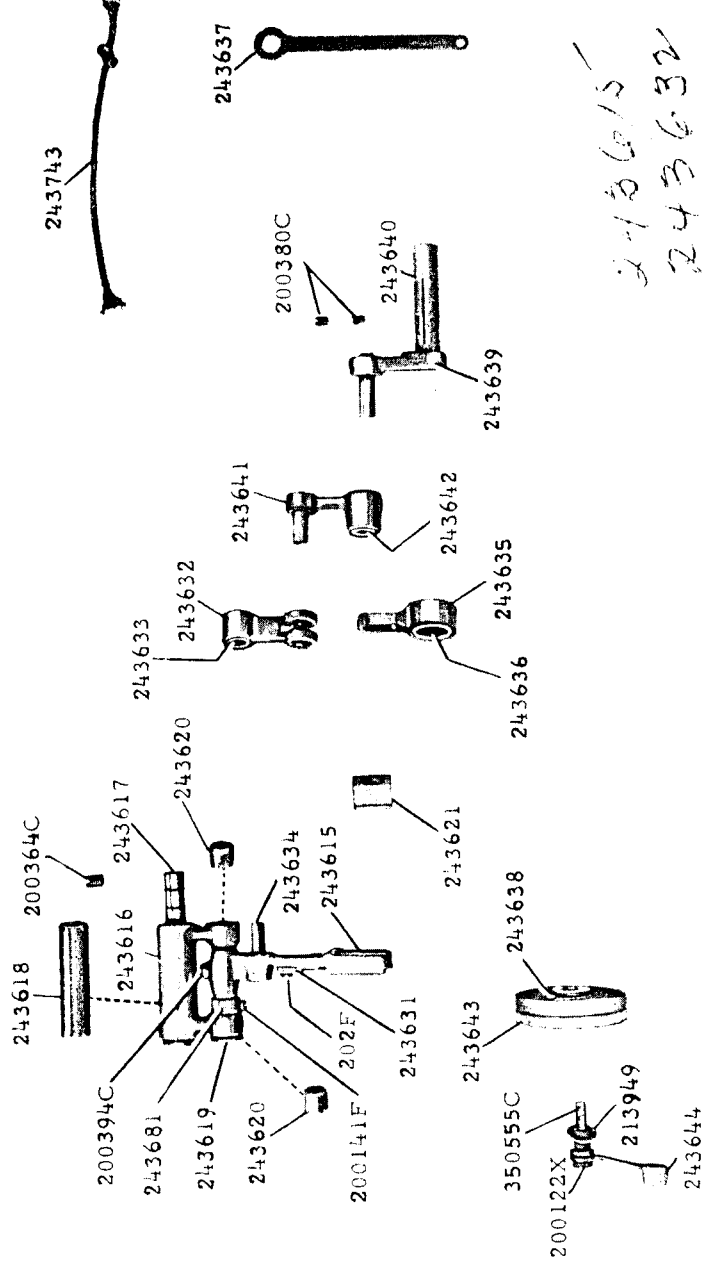


243737

243648

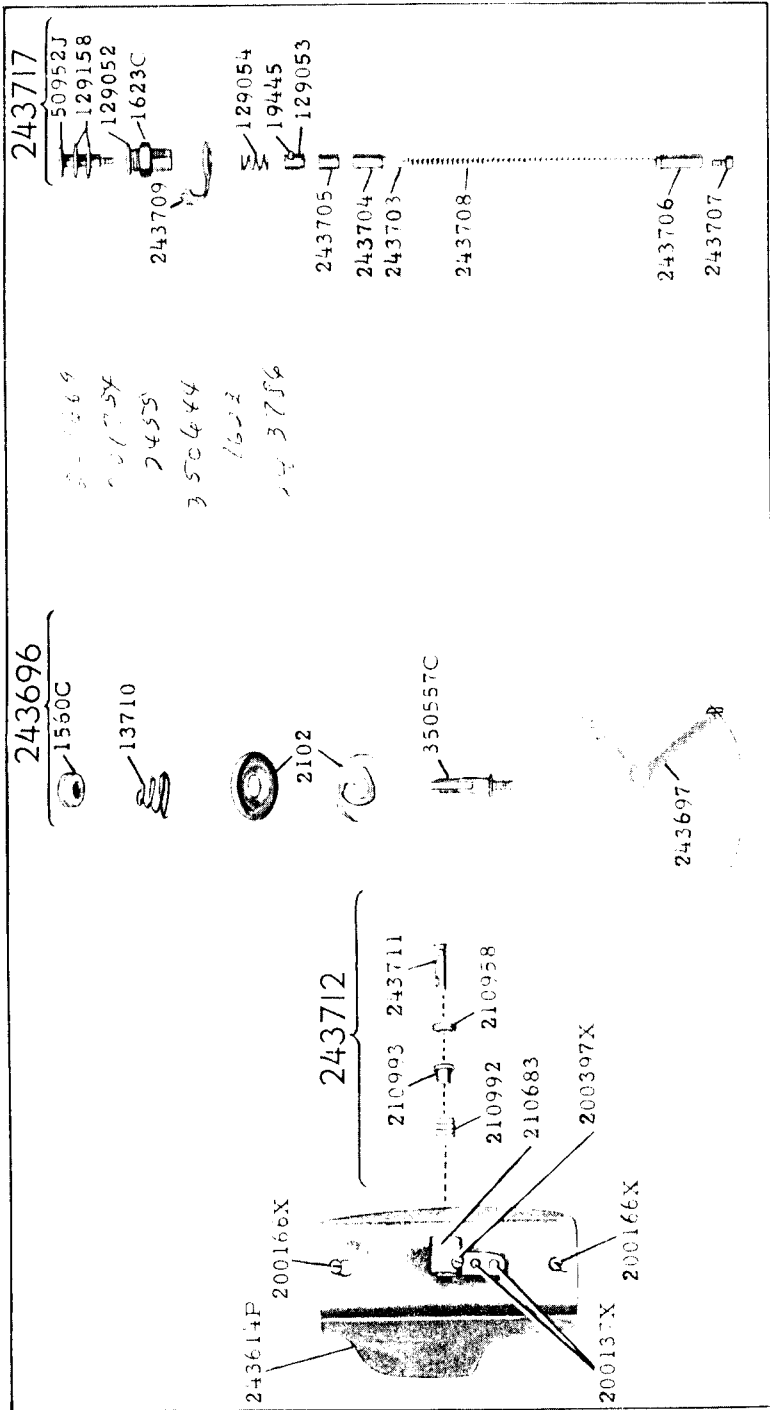


15605 - 3/8

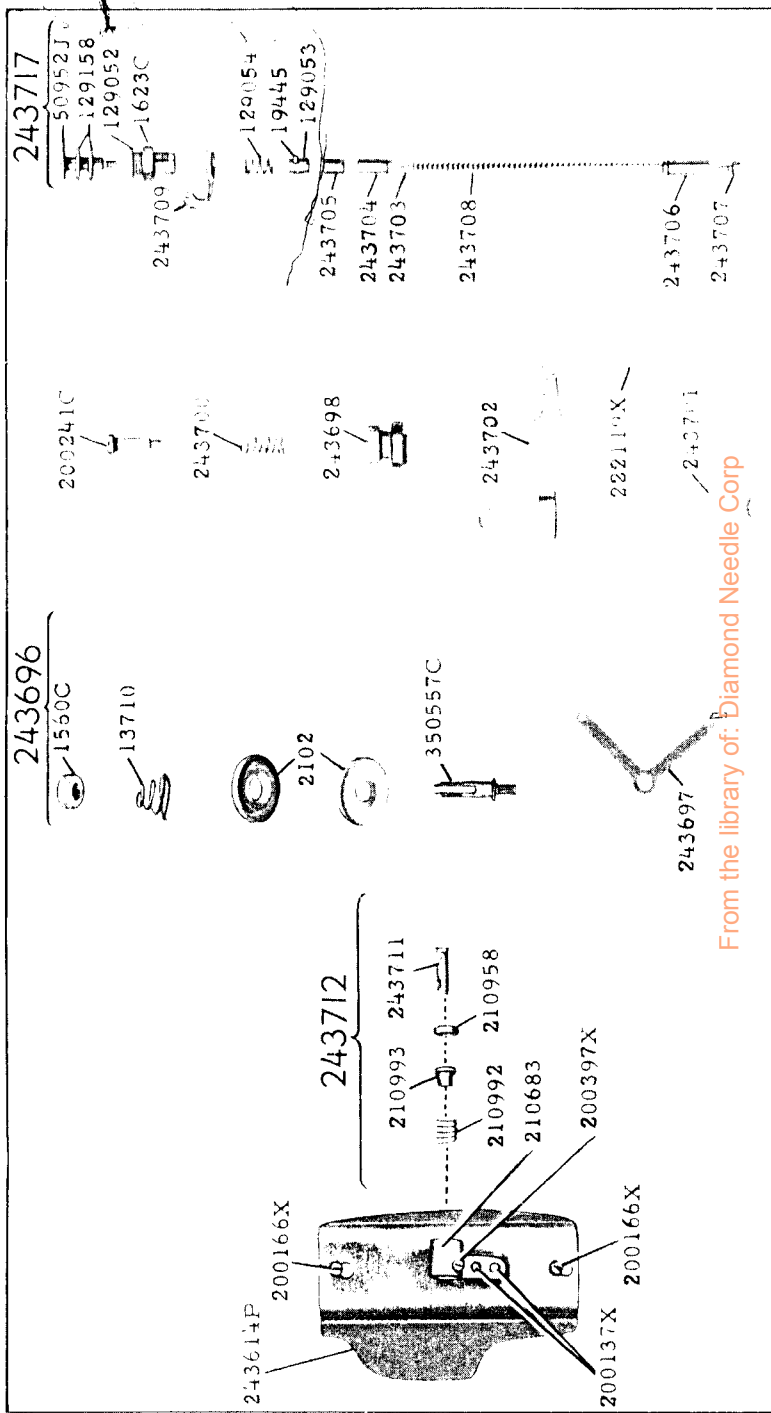


*Handwritten notes:*  
 243605 - 49A1  
 243632

15606 - 3/8

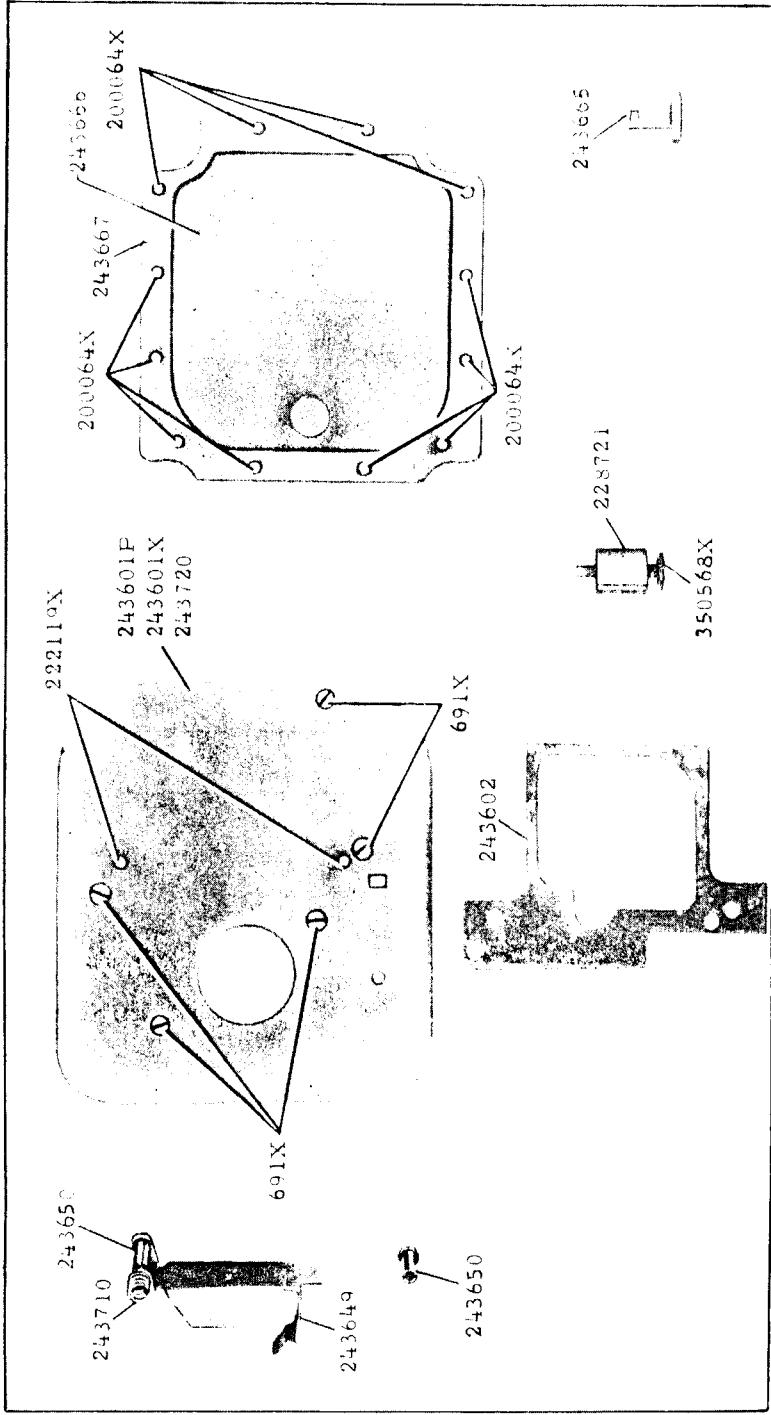


15607 - 3/8

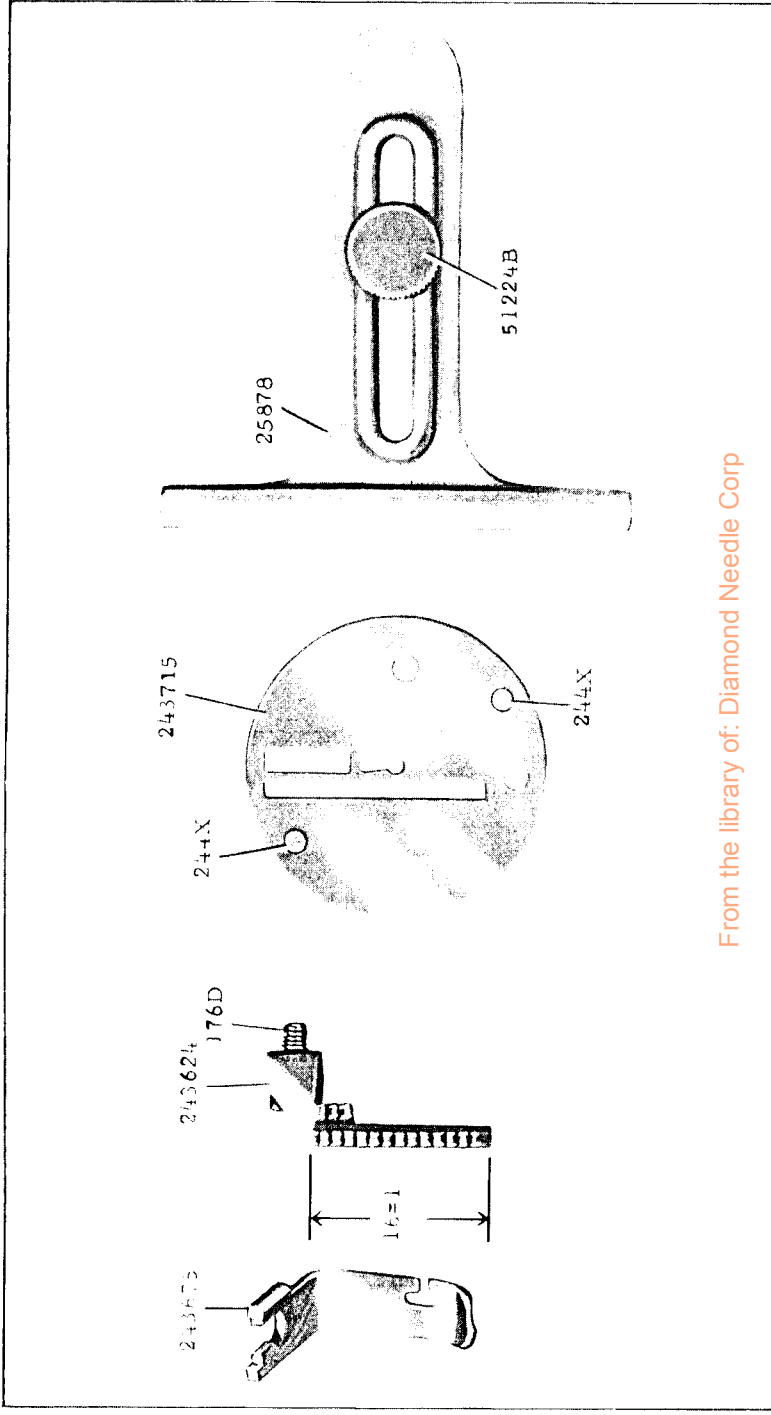


From the library of: Diamond Needle Corp

15608-1/3

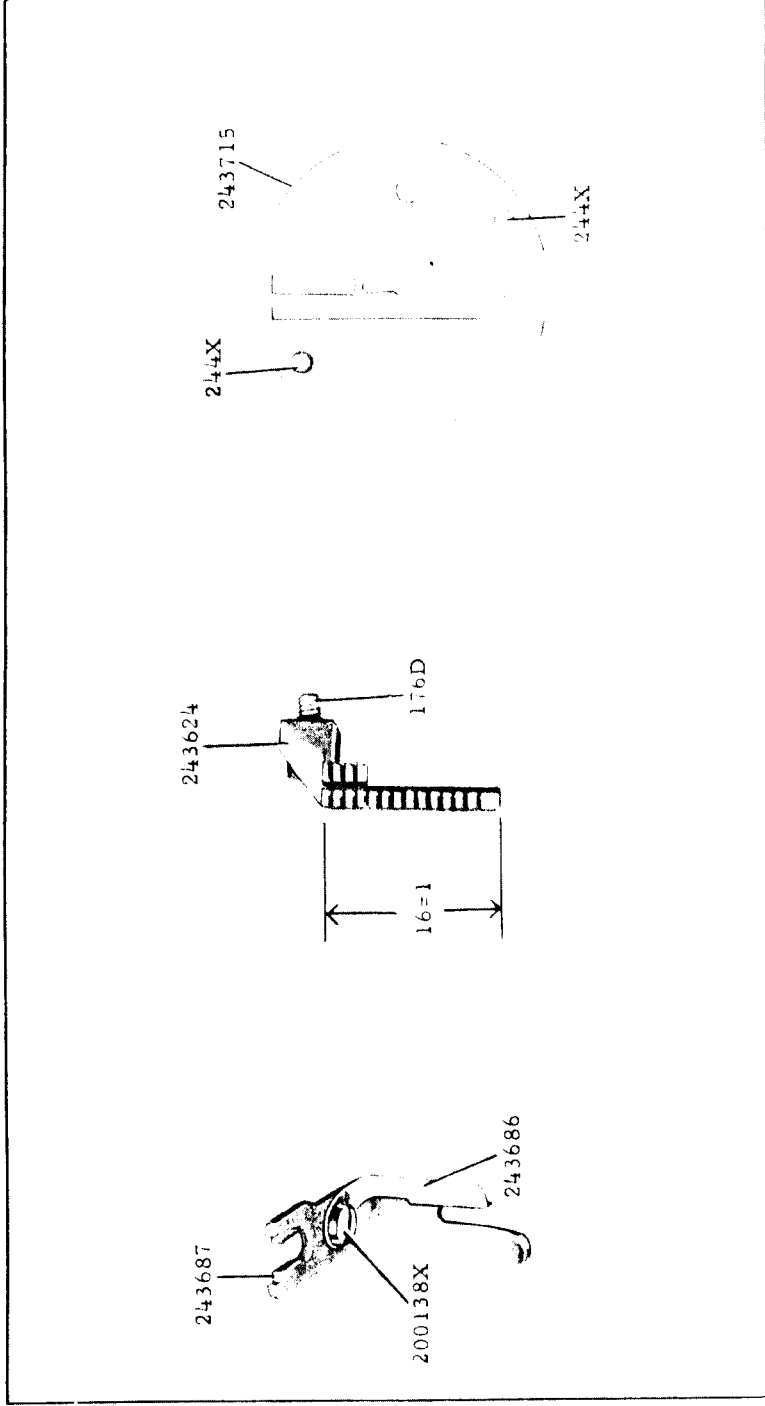


15609

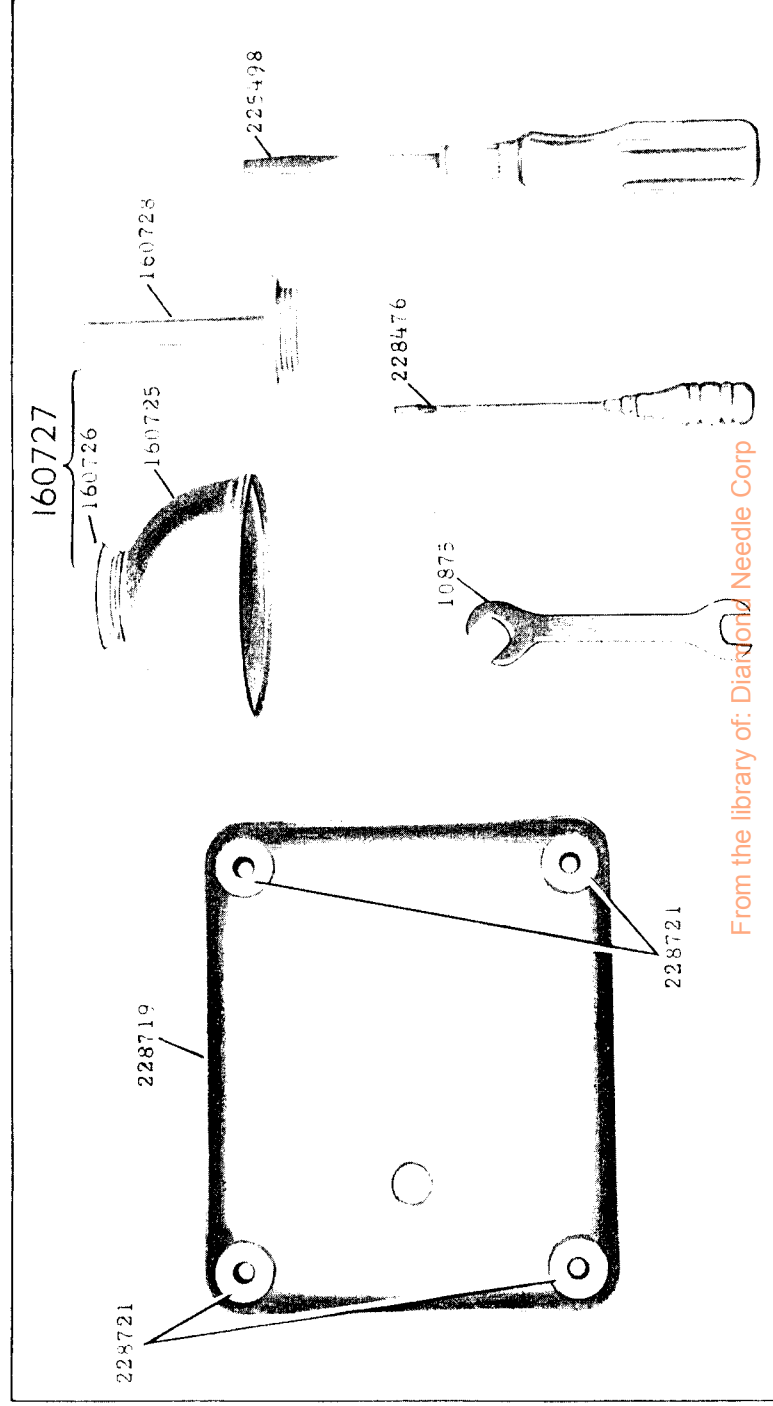


From the library of: Diamond Needle Corp

15610



15611-3/8

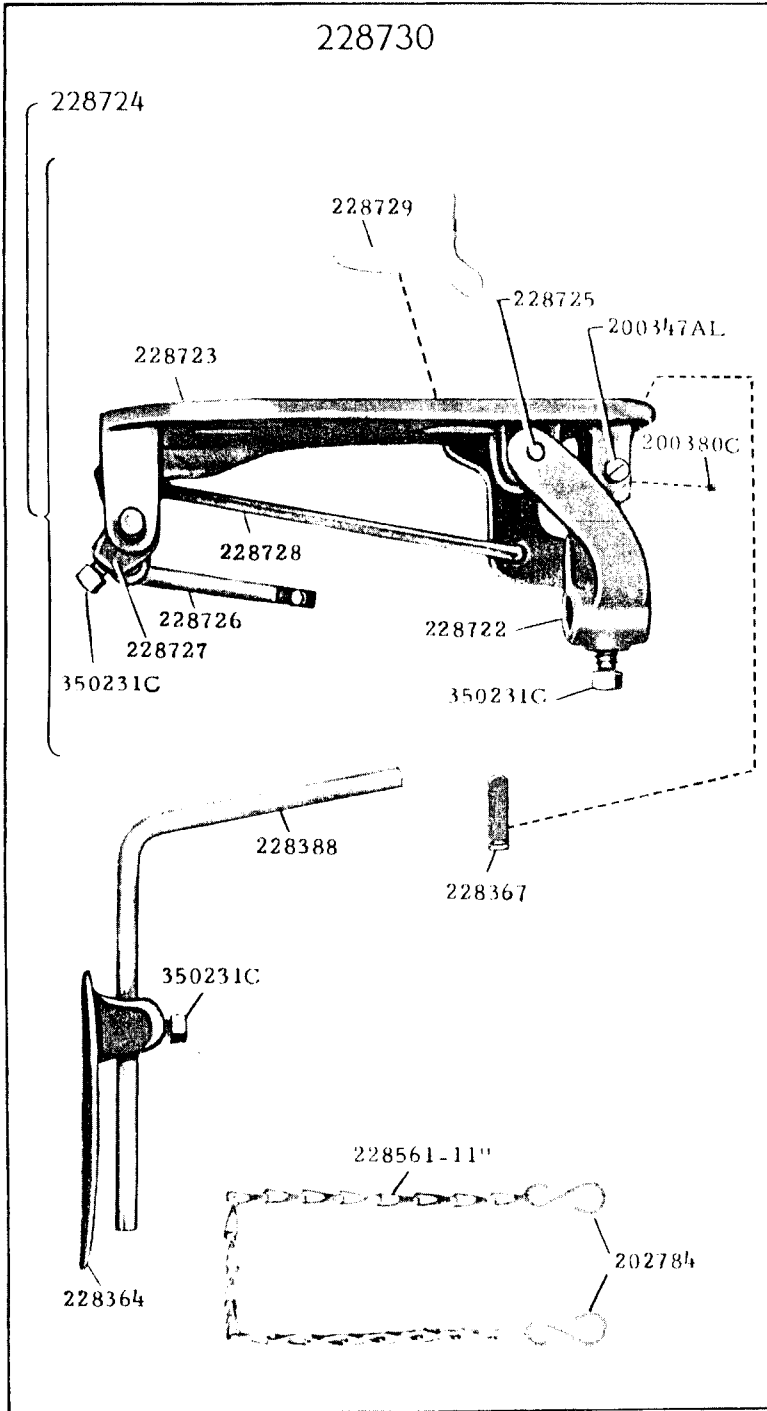


From the library of: [Dianzong Needle Corp](#)



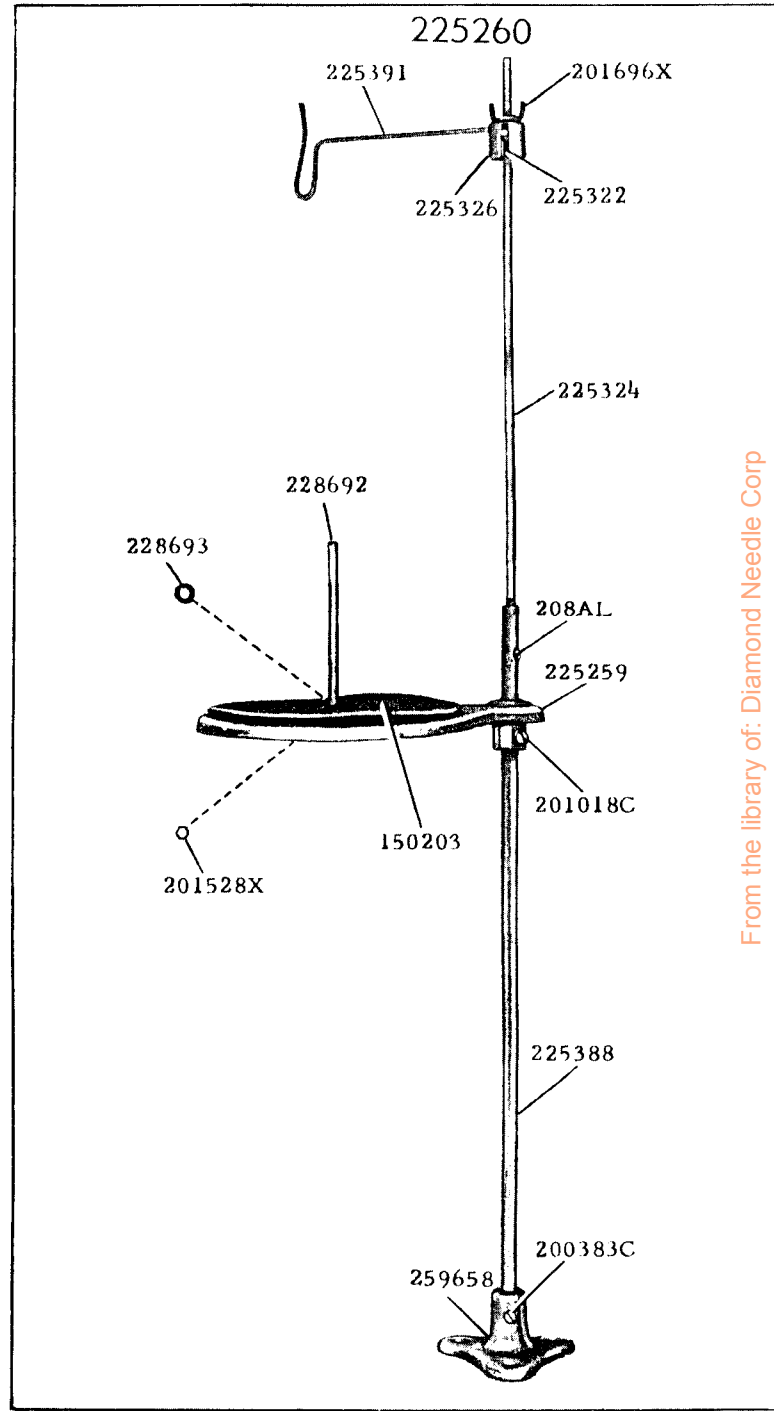
15612 - 3/8

228730



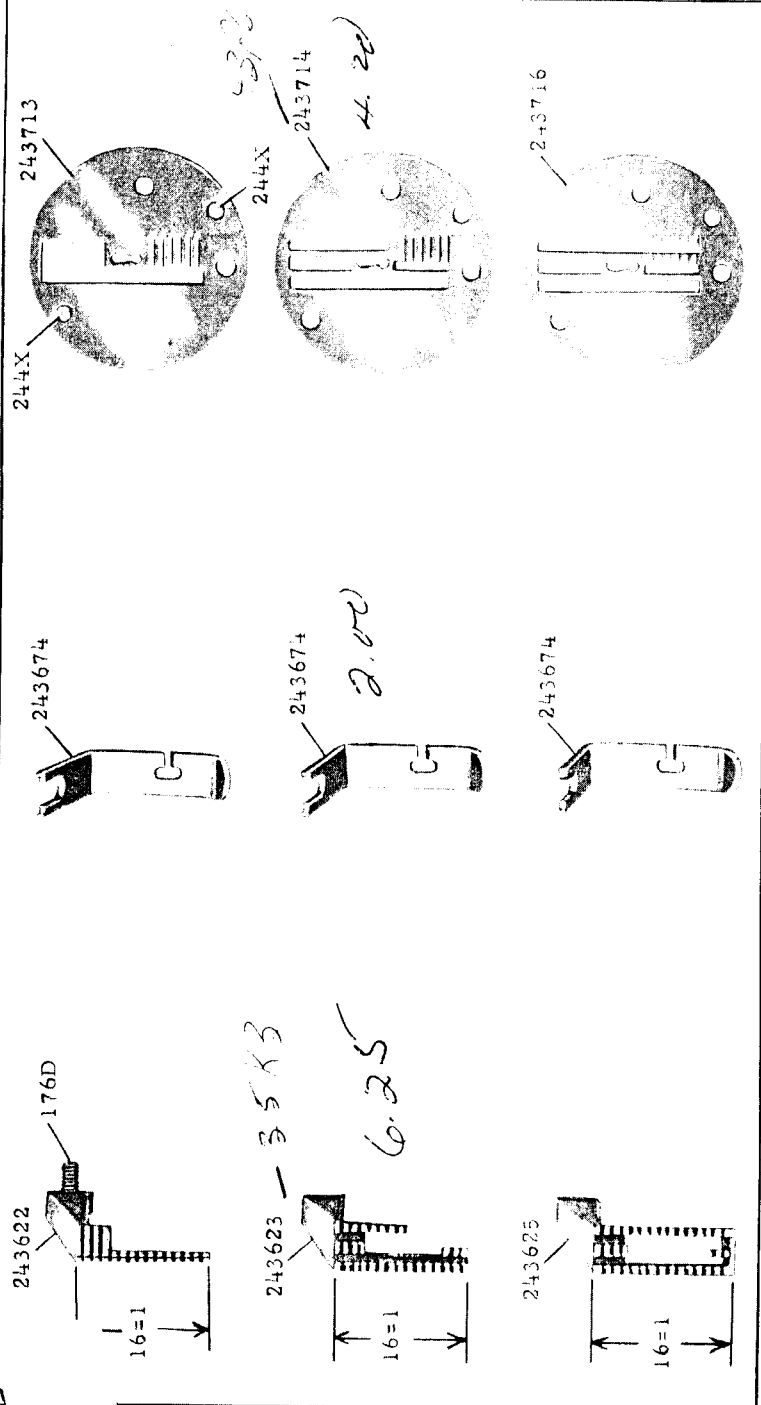
15613 - 1/4

225260

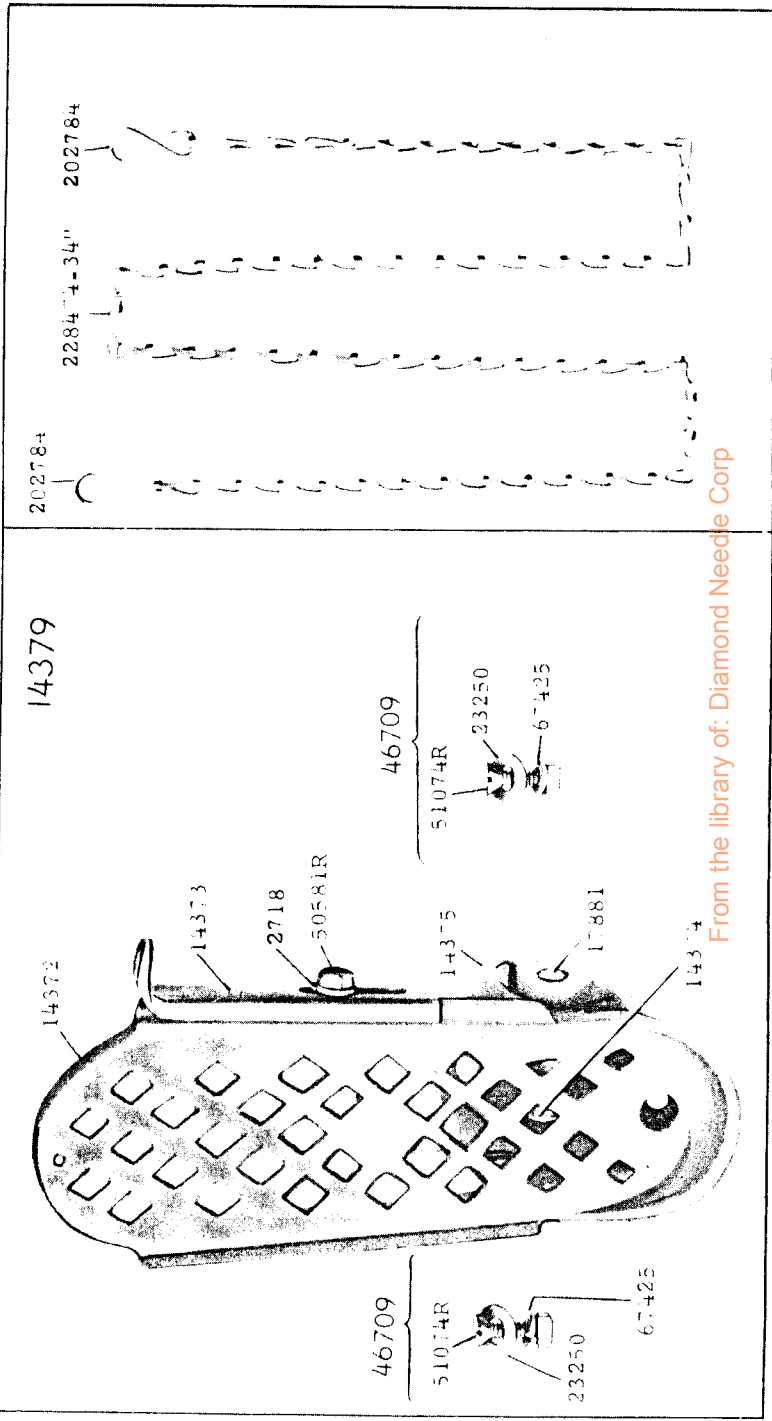


From the library of: Diamond Needle Corp

15614-3/4



15615-3/8



From the library of: Diamond Needle Corp

